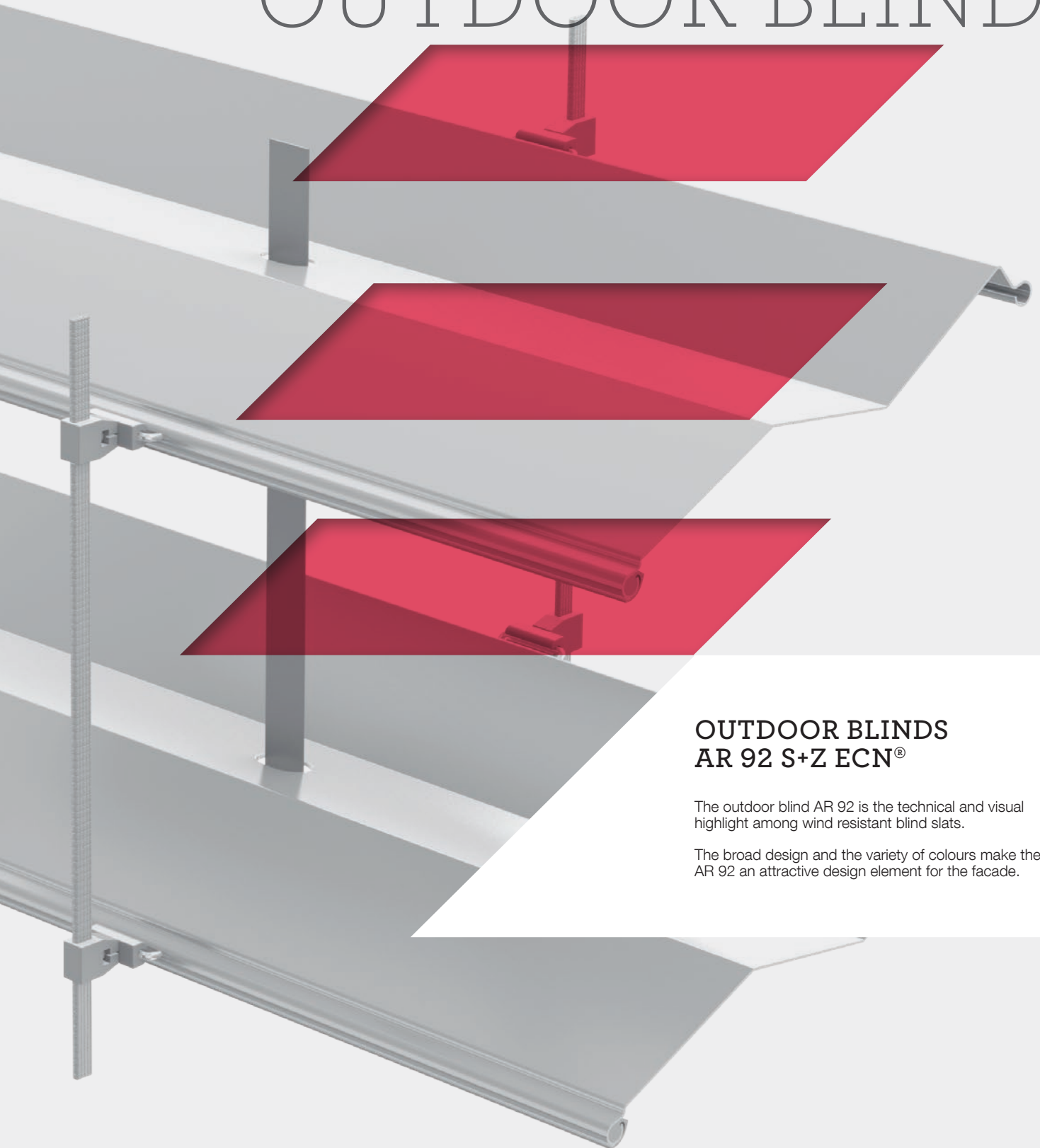


**HELLA**

# OUTDOOR BLINDS



## **OUTDOOR BLINDS AR 92 S+Z ECN®**

The outdoor blind AR 92 is the technical and visual highlight among wind resistant blind slats.

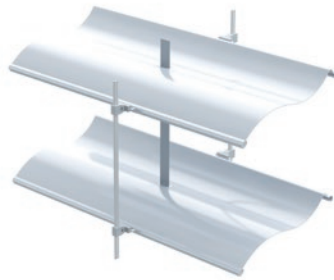
The broad design and the variety of colours make the AR 92 an attractive design element for the facade.

# THE MOST BEAUTIFUL WAY TO GUIDE THE DAYLIGHT

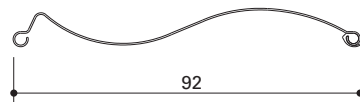
It is a real "all-rounder" and ensures optimum indoor climate:  
 Heat protection due to reflection of the sunlight in front of the facade.  
 Control of the incoming light up to excellent blacking out via adjustable slats, protection against bad weather by firmly closing the entire slat system.

And to avoid annoying noise, the slats are guided in guide rails that are provided with plastic inserts.

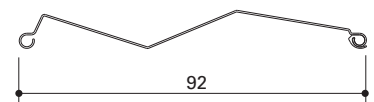
## Sectional view of the slats



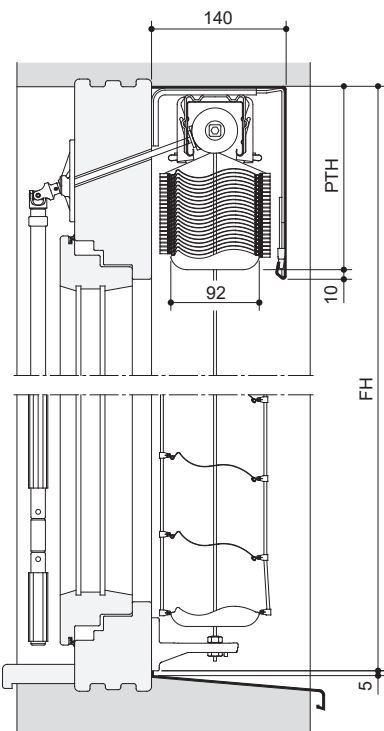
**The original S-shaped slat, only available from HELLA:**  
elegant soft wave profile



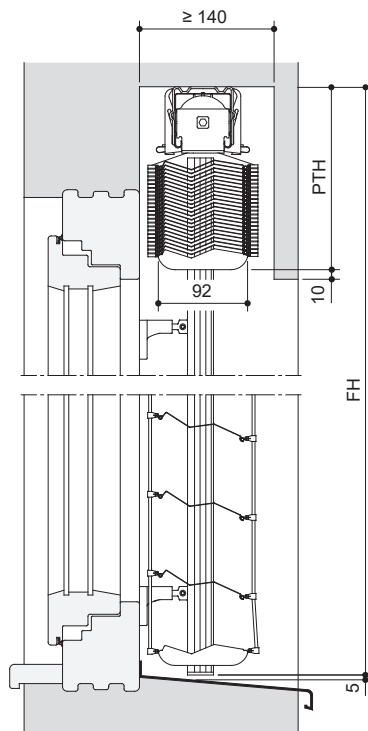
**The Z-shaped slat:**  
modern-geometric shape



## Installation examples



AR 92 with top board and crank handle drive



AR 92 in the recess



with guide rail, closed



with wire tensioning, opened by 45°

<b>Complete height/FH [mm]</b>	<b>1000</b>	<b>1500</b>	<b>2000</b>	<b>2500</b>	<b>3000</b>	<b>3500</b>	<b>4000</b>	<b>4500</b>	<b>5000</b>
Package height/PTH [mm]	150*	180*	205*	230	260	290	320	345	370

<b>Slat width [mm]</b>	92	<b>Slat type</b>	bordered
<b>Side guidance</b>	Cable/guide rail	<b>Max. height [mm]</b>	5200(K/M)
<b>Min. width [mm]</b>	430(K)/450(M)	<b>Max. width [mm] single unit</b>	5000(K/M)
<b>Max. blind surface [m²] single unit</b>	14(K)/20(M)	<b>Max. blind surface [m²] linked units</b>	12,6(K)/22,5(M)

K = crank handle, M = motor

\* With a simultaneously tilting bottom rail the minimum recess height / top board height is 230 mm.