

# OUTDOOR BLINDS



## OUTDOOR BLINDS ARB 80

The outdoor blind model ARB 80 is among the proven classics on the market. All slat guide pins are made of metal. Consequently this classic is an almost maintenance-free facade element.

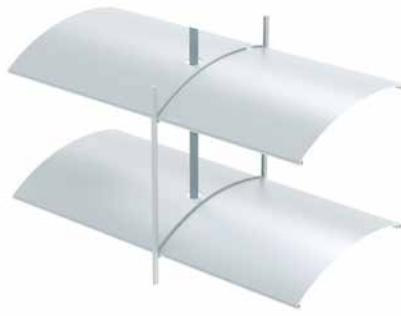
If desired, the outdoor blind ARB 80 is also available with light control function.

# ARB 80

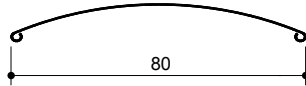
## THE CLASSIC IN PROVEN DESIGN

The slats are - like all HELLA outdoor blinds - made of a special aluminium alloy and convex-concave roll formed. Bordered hollow punchings protect the lifting tapes and supersede plastic clips. The bottom rail made of extruded aluminium profile is guided in the rails by plastic pins on both sides, which makes the entire slat blind more stable.

### Sectional view of the slat



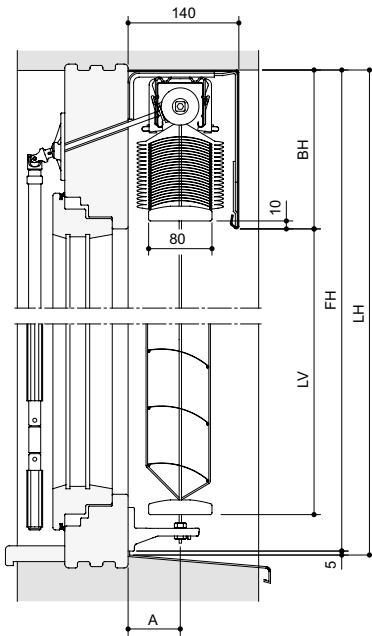
The convex-concave slat ARB 80



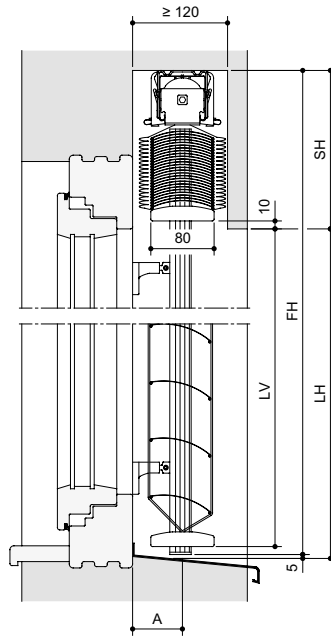
HELLA replaces the traditional ladder tape fixation with plastic grommets by a fixation with the smart OMEGA punching. This creates a unique product without plastic grommets. Perfect design and almost maintenance-free!

02/2015 7500 0072\_EN

### Installation examples



ARB 80 with top board and crank handle drive



ARB 80 in the recess



with guide rail, closed



with guide rail, opened to 90°

| Package height [mm]      | 1000 | 1500 | 2000 | 2500 | 3000 | 3500 | 4000 | 4500 | 5000 |
|--------------------------|------|------|------|------|------|------|------|------|------|
| Wire guidance/guide rail | 150  | 175  | 205  | 235  | 260  | 285  | 310  | 340  | 370  |

|  |                    |   |                     |
|--|--------------------|---|---------------------|
| <b>Slat width</b>                          | 80                 | <b>Slat type</b>                            | bordered            |
| <b>Side guidance</b>                       | Cable / guide rail | <b>Max. height [mm]</b>                     | 5200 (K/M)          |
| <b>Min. slat width [mm]</b>                | 400 (K) / 430 (M)  | <b>Max. slat width [mm] single unit</b>     | 5000 (K/M)          |
| <b>Max. blind surface [m²] single unit</b> | 14 (K) / 20 (M)    | <b>Max. blind surface [m²] linked units</b> | 12.6 (K) / 22.5 (M) |

K = crank handle, M = Motor

Subject to modifications.

[www.hella.info](http://www.hella.info)

**HELLA**  
HELLA HÄLT